



Description

Alloy Thermal-Link / Alloy Thermal Cutoff (ATCO) is defined as a non-resettable protective device functioning one time only. It is widely used in electrical equipment. ATCO is mainly consist of fusible alloy, flux resin, case, sealant and lead wires. Normally, fusible alloy is jointed to the two lead wires. Under abnormal conditions, when the temp. reaches to the fusing temp. of ATCO, the fusible alloy melts and quickly retracts to the two lead wire ends with the aid of the flux resin and disconnects the circuit completely.

Features

- Plastic Case
- Non-Resettable
- High Accuracy of Functioning Temp.
- High Surge Capacity
- RoHS & REACH Compliant

Nov.15.2021

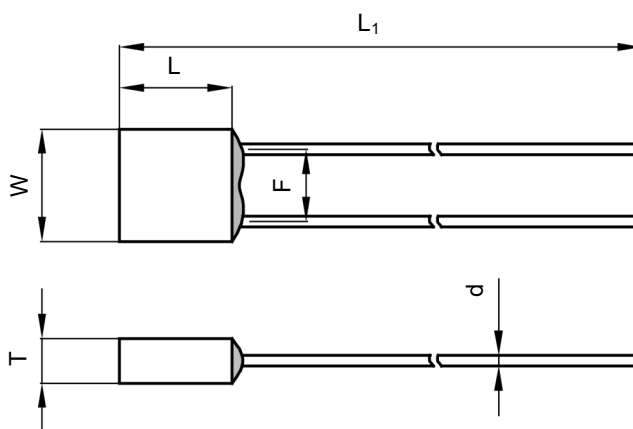
Applications

- Surge Protective Devices
 - Power Strips
 - Lamps
 - Switched-Mode Power Supplies
 - Home Electrical Appliances
 - Batteries

Customization





- Other Temp.
- The Length of Lead Wires

Dimensions (mm)



| L | L ₁ | W | T | d | F |
|------------|----------------|------------|-----------|-------------|-----------|
| 11.5 ± 0.5 | 50.0 ± 2.0 | 10.8 ± 0.5 | 4.8 ± 0.2 | 1.60 ± 0.05 | 6.6 ± 0.8 |

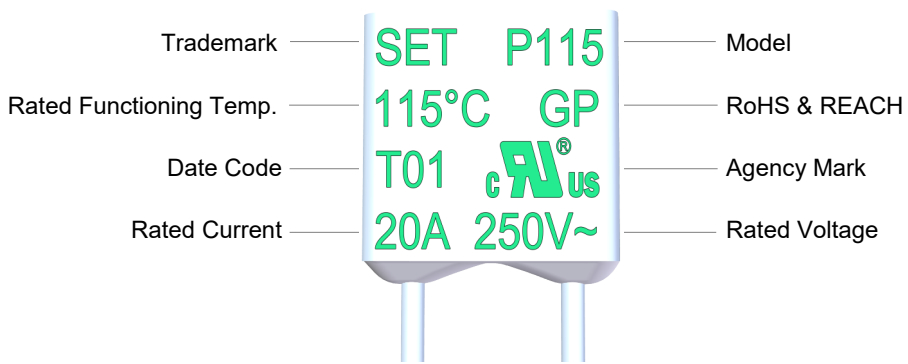
Agency Approvals

| Agency | Standards | File No. |
|---|----------------|------------------|
|  | UL 60691 | E214712 |
|  | CAN-CSA-E60691 | E214712 |
|  | EN 60691 | R50259029 |
|  | GB/T 9816 | 2020980205000180 |

Structure Diagrams

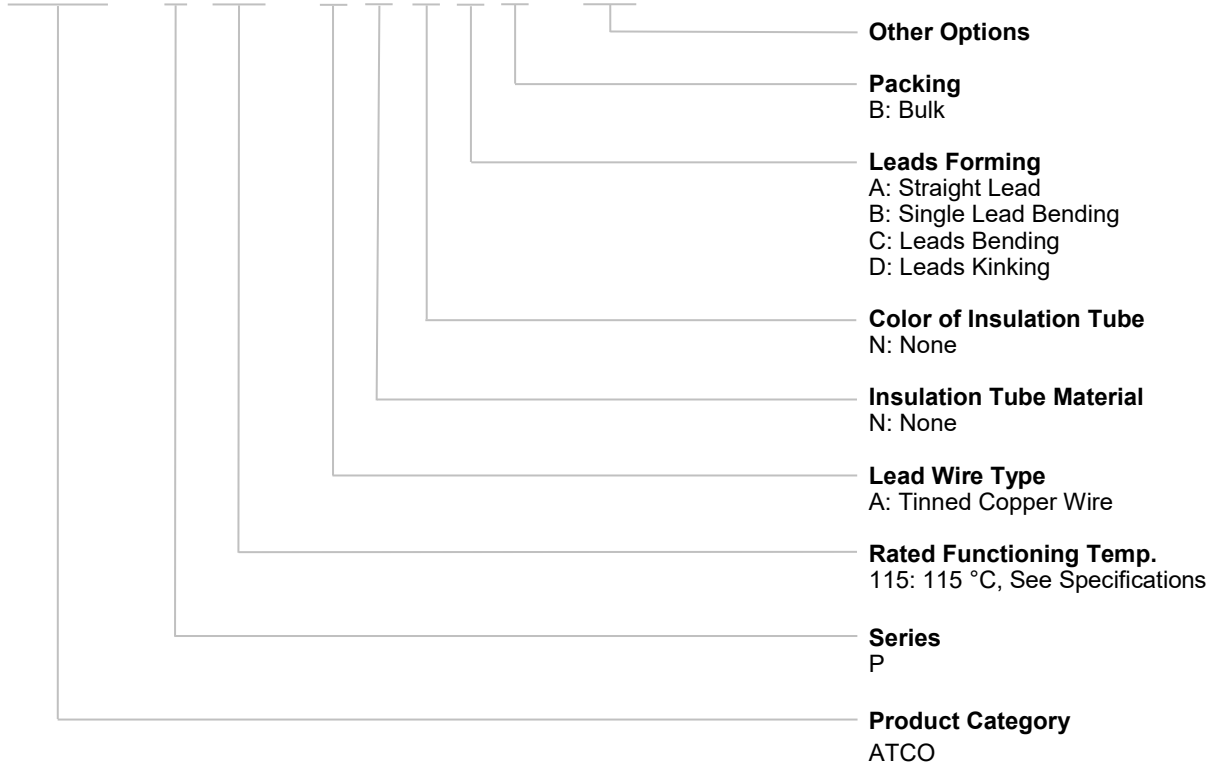


Marking



Part Numbering System

ATCO - P 115 - A N N A B - 001



Leads Forming Types





The below leads forming is for reference, more leads forming can be customized.

| A | B | C | D |
|---------------|---------------------|---------------|---------------|
| Straight Lead | Single Lead Bending | Leads Bending | Leads Kinking |
| | | | |

Glossary

| Item | Description |
|---------------------|--|
| TCO | Thermal-Link A non-resettable device incorporating a THERMAL ELEMENT which will open a circuit once only when exposed for a sufficient length of time to a temperature in excess of that for which it has been designed. |
| ATCO | Alloy Thermal-Link Alloy Type Thermal-Link, Alloy is the thermal element. |
| T_f | Rated Functioning Temp. The temperature of the Alloy Thermal-Link which causes it to change the state of conductivity with a detection current up to 10 mA as the only load. Tolerance: $T_f \pm 10^\circ \text{C}$ (GB/T 9816, EN 60691, K60691). Tolerance: $T_f \pm 7^\circ \text{C}$ (J60691). |
| Fusing Temp. | Fusing Temp. The temperature of the Alloy Thermal-Link which causes it to change its state of conductivity is measured with silicone oil bath in which the temperature is increased at the rate of 0.5°C to 1°C / minute, with a detection current up to 10 mA as the only load. |
| T_h | Holding Temp. The Maximum temperature at which a Alloy Thermal-Link will not change its state of conductivity when conducting rated current for 168 hours. |
| T_m | Maximum Temp. Limit The temperature of the Alloy Thermal-Link stated by the manufacturer, up to which the mechanical and electrical properties of the Alloy Thermal-Link having changed its state of conductivity, will not be impaired for a given time. |
| I_r | Rated Current The current used to classify a Alloy Thermal-Link, which is the Maximum current that Alloy Thermal-Link allows to carry and is able to cut off the circuit safely. |
| U_r | Rated Voltage The voltage used to classify a Alloy Thermal-Link, which is the Maximum voltage that Alloy Thermal-Link allows to carry and is able to cut off the circuit safely. |
| I_n | Nominal Discharge Current Bing able to withstand 15 peak currents of waveform 8 / 20 μs to test the product's durability of withstanding pulse current. |
| I_{max} | Maximum Discharge Current Bing able to withstand 1 peak current of waveform 8 / 20 μs to test maximum pulse current that the product can with stand. |

Specifications

| Model | T_f | Fusing Temp. | T_h | T_m | I_r | U_r | I_n 8 / 20 μs (15 Times) | I_{max} 8 / 20 μs (1 Time) |  |  |  |  | RoHS, REACH |
|-------|-------|--------------|-------|-------|-------|--------|---------------------------------------|---|---|---|---|---|----------------|
| | (°C) | (°C) | (°C) | (°C) | (A) | (V) | (kA) | (kA) | UL | cUL | TUV | CCC | |
| P102 | 102 | 98 ± 2 | 66 | 200 | 20 | AC 250 | 10 | 20 | ○ | ○ | ○ | ○ | ● |
| | | | | | | AC 400 | | | ○ | ○ | ● | ● | ● |
| | | | | | | DC 120 | | | ○ | ○ | ● | ● | ● |
| P115 | 115 | 111 ± 2 | 82 | 200 | 20 | AC 250 | 12 | 25 | ● | ● | ○ | ○ | ● |
| | | | | | | AC 300 | | | ● | ● | ○ | ○ | ● |
| | | | | | | AC 400 | | | ○ | ○ | ● | ● | ● |
| | | | | | | DC 120 | | | ○ | ○ | ● | ● | ● |
| P125 | 125 | 121 ± 2 | 90 | 200 | 20 | AC 250 | 12 | 25 | ○ | ○ | ○ | ○ | ● |
| | | | | | | AC 400 | | | ○ | ○ | ● | ● | ● |
| | | | | | | DC 120 | | | ○ | ○ | ● | ● | ● |
| P136 | 136 | 131 ± 2 | 102 | 200 | 20 | AC 250 | 12 | 25 | ● | ● | ○ | ○ | ● |
| | | | | | | AC 300 | | | ● | ● | ○ | ○ | ● |
| | | | | | | AC 400 | | | ○ | ○ | ● | ● | ● |
| | | | | | | DC 120 | | | ○ | ○ | ● | ● | ● |

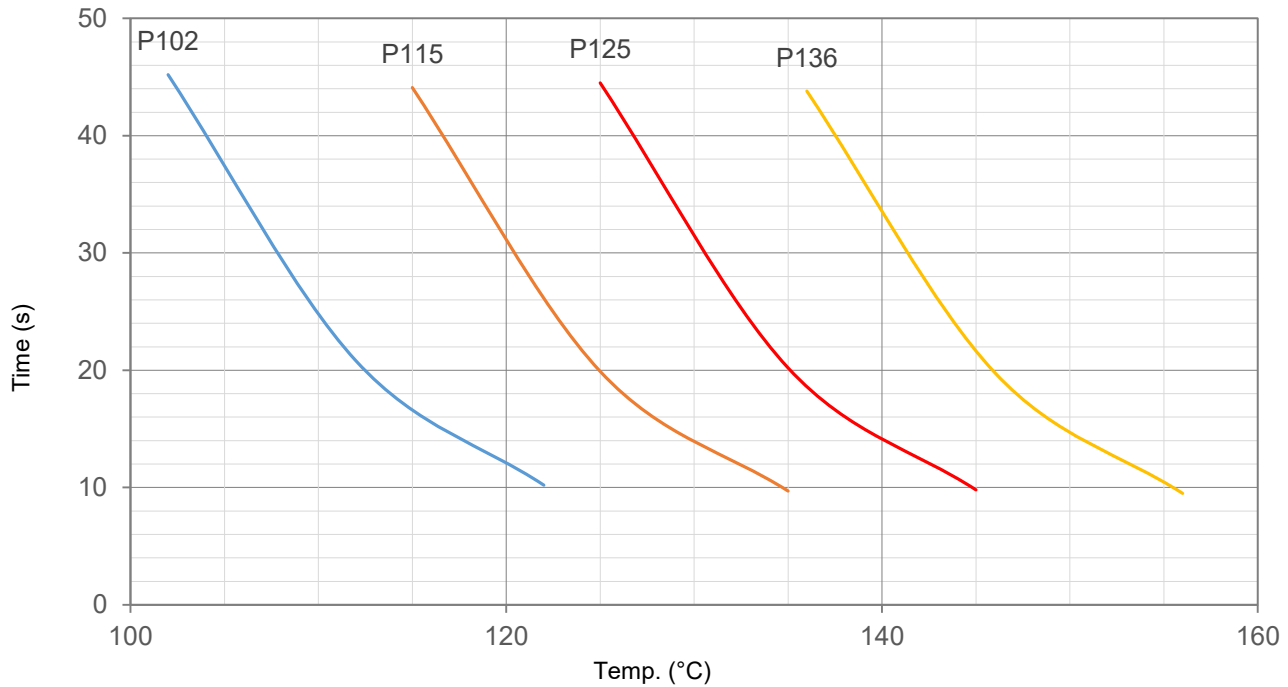
Note :

"●"Means certificated.

"○"Means non-certificated.

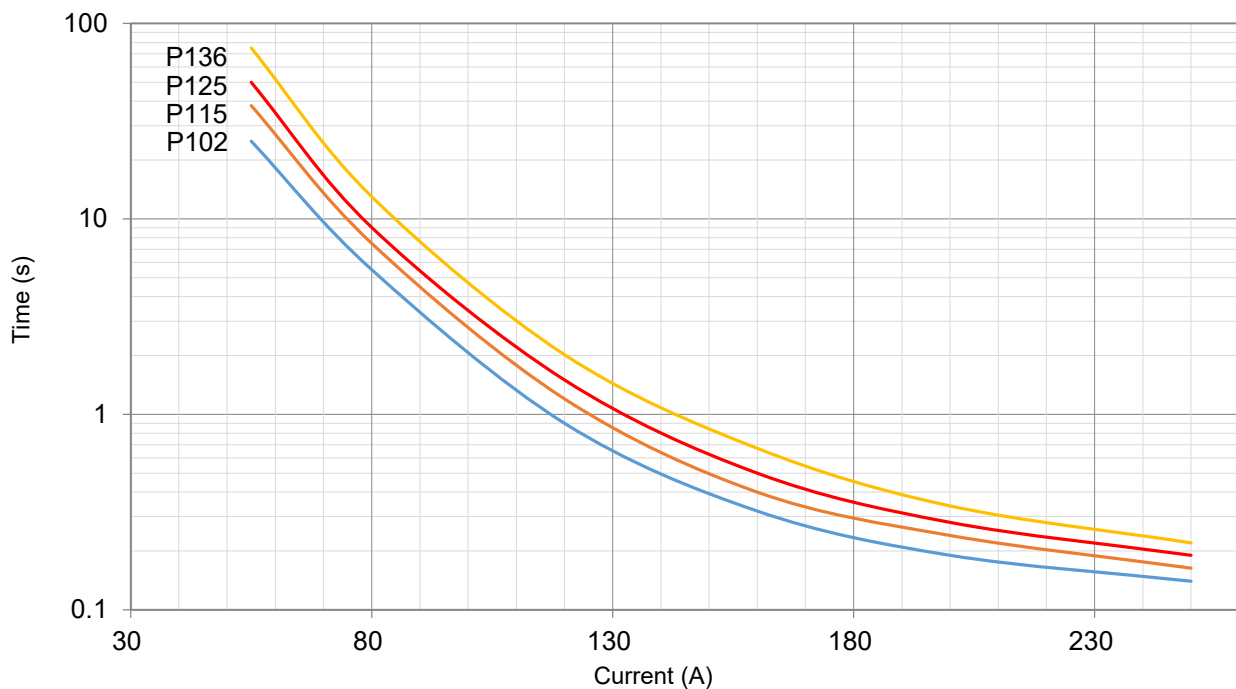
Product Temp.-Time Curve (Reference)

The Temp.-Time Curve of Thermal-Link in different temp. oil bath.



Product Current-Time Curve (Reference)

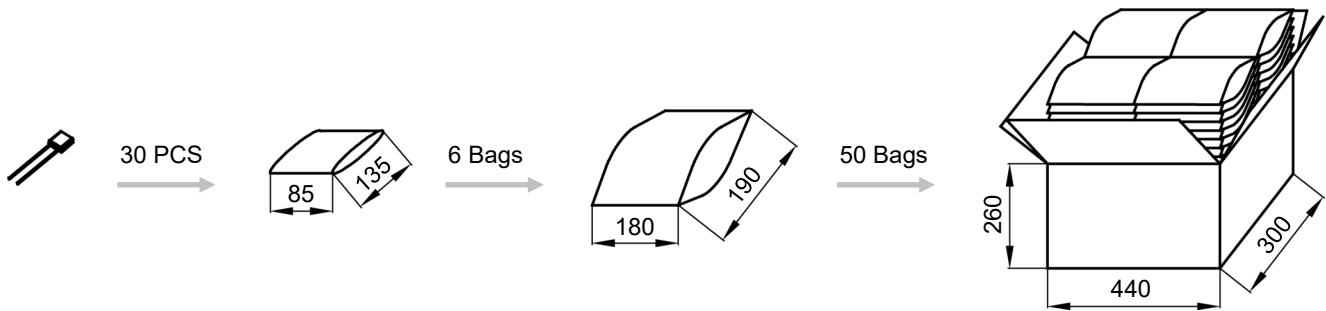
The Current-Time Curve shows functioning time at multi-times rated current at room temperature 25 ± 2 °C.



Packaging Information

Bulk

| Item | PE Bag | PE Bag | Carton |
|-------------------|----------|-----------|-----------------|
| Dimensions (mm) | 135 × 85 | 190 × 180 | 440 × 300 × 260 |
| Quantity (PCS) | 30 | 180 | 9000 |
| Gross Weight (kg) | | | 24 ± 10% |





ATTENTION

Usage

1. When atmosphere pressure is from 80 kPa to 106 kPa, the related altitude shall be from 2000 meter to - 500 meter.
2. Operating voltage less than rated voltage of ATCO, operating current less than rated current of ATCO.
3. Do not touch the ATCO body or lead wires directly when power is on, to avoid burn or electric shock.

Replace

ATCO is a non-repairable product. For safety sake, it shall be replaced by an equivalent ATCO from the same manufacturer, and mounted in the same way.

Storage

Do not store the ATCO at the high temp., high humidity or corrosive gas environment, avoid influencing the solder-ability of the lead wires, the product shall be used up within 1 year after receiving the goods.

Installation

Make Sure the Temp. of Installation Position.

1. It is recommended that a dummy ATCO with inbuilt thermo-couple shall be used to determine the proper temp.
2. The terminal product should be tested to ensure that potential abnormal conditions do not cause ambient temp. to exceed the T_m of the ATCO.
3. Mount the ATCO at the location where temp. rises evenly.

Installation position of mechanical performance requirements.

1. Do not locate the ATCO in a place where severe vibration always occurs.
2. Ensure that the lead wire is long enough, and avoid actions such as press, tensile or twist.
3. The seal or body of ATCO must not be damaged, burned or over heated.

Mechanical Connection

Riveting

1. Choose small resistivity riveting material and be riveted.
2. A flexible lead or lead with low resistance should be used to rivet the ATCO.
3. Contact resistance should be minimal, Large contact resistance will lead to higher temp., ATCO Functioning in advance.

Soldering

Hand-Soldering

1. Soldering should be carried out according to Table P-1.
2. The thermal element of ATCO is fusible alloy with low melting point, which is jointed with ATCO lead wires. Improper soldering operation (too high soldering temp. , too long soldering time, too short lead wire etc.) may transfer more heat to the thermal element and ATCO may open in advance.
3. When soldering conditions are more severe than those listed in Table P-1, a heat sink fixture should be used between soldering point and ATCO body.
4. When soldering, please do not pull / push or twist ATCO body or lead wires.
5. After soldering, let it naturally cool for longer than 20 seconds. During cooling, never move the ATCO body or lead wires.

Wave Soldering

The wave soldering parameters as Table P-2, for reference only, when ATCO is for practice use, you need to do some validation experiments. For example, using X-RAY to see the fusible alloy of ATCO whether damage after wave soldering.

TABLE P-1 Hand-Soldering Time

| Rated Functioning Temp. (T_f) | Max. Allowable Soldering Time for Different Lead Wire Length (Fig.P-1) | | | | | | Max. Soldering Temp. |
|-----------------------------------|--|----------------|--------------|------|--------------|------|----------------------|
| | L_s Length | Time | L_s Length | Time | L_s Length | Time | |
| (°C) | (mm) | (s) | (mm) | (s) | (mm) | (s) | (°C) |
| 76 to 101 | 10 | 1 ^a | 20 | 2 | 30 | 3 | 400 |
| 102 to 115 | 10 | 1 ^a | 20 | 2 | 30 | 3 | |
| 116 to 135 | 10 | 1 ^a | 20 | 3 | 30 | 5 | |
| 136 to 150 | 10 | 3 | 20 | 5 | 30 | 5 | |
| 151 to 230 | 10 | 4 | 20 | 6 | 30 | 7 | |

Note:

a: Auxiliary Heat Sink Fixture is Required to Avoid ATCO Cutting off Unexpectedly.

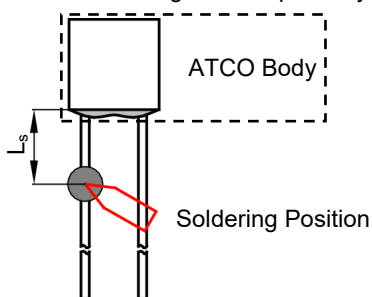
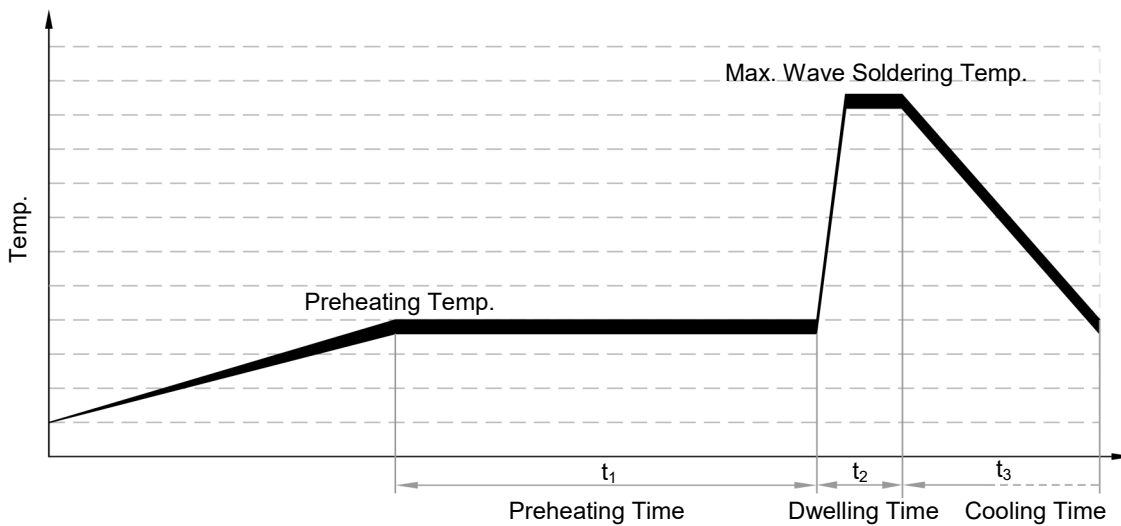


FIGURE P-1

TABLE P-2 Wave Soldering Parameters Setting

| Rated Functioning Temp. (T_r) | Max. Allowable Preheating Temp. When the Length of Lead Wire is Different (Fig.P-1) | | | | Preheating Time (t_1) | Max. Wave Soldering Temp. | Dwelling Time (t_2) | Cooling Time (t_3) |
|-----------------------------------|---|------------------|--------------|------------------|---------------------------|---------------------------|-------------------------|------------------------|
| | L_s Length | Preheating Temp. | L_s Length | Preheating Temp. | | | | |
| (°C) | (mm) | (°C) | (mm) | (°C) | (s) | (°C) | (s) | (s) |
| 76 to 130 | Recommend Hand-Soldering | | | | | | | |
| 131 to 150 | 20 | 80 | 30 | 90 | < 60 | ≤ 260 | ≤ 3 | ≤ 10 |
| 151 to 230 | 20 | 90 | 30 | 100 | < 60 | ≤ 260 | ≤ 3 | ≤ 10 |



Lead Wire Forming

1. If lead wire has to be bent, please pay attention to the distance between body and bending point. Refer to Table P-3.
2. When bending leads, please use pincher or similar tools to fix the product as shown in Fig.P-2, to avoid damaging the product.
3. During forming and mounting, lead wire should not be cut, nicked, bent sharply, to avoid breaking the product.
4. Tangential forces on the leads must be avoided (i.e. pushing or pulling on the leads at angle to ATCO body) as such forces may damage the seal of ATCO.

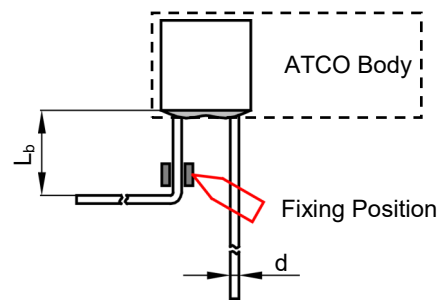


FIGURE P-2

TABLE P-3 Distance between Body and Bending Point

| d | (mm) | ≤ 1.0 | 1.0 to 1.2 | > 1.2 |
|-------|------|-------|------------|-------|
| L_b | (mm) | ≥ 3 | ≥ 5 | ≥ 10 |